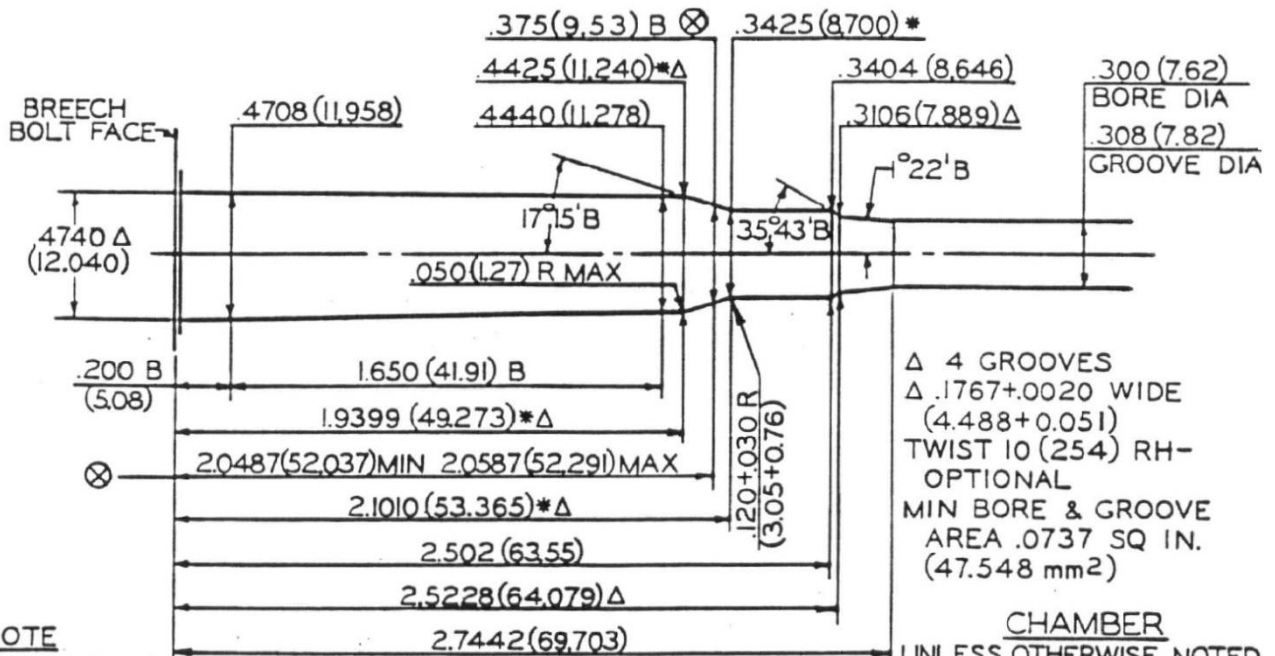
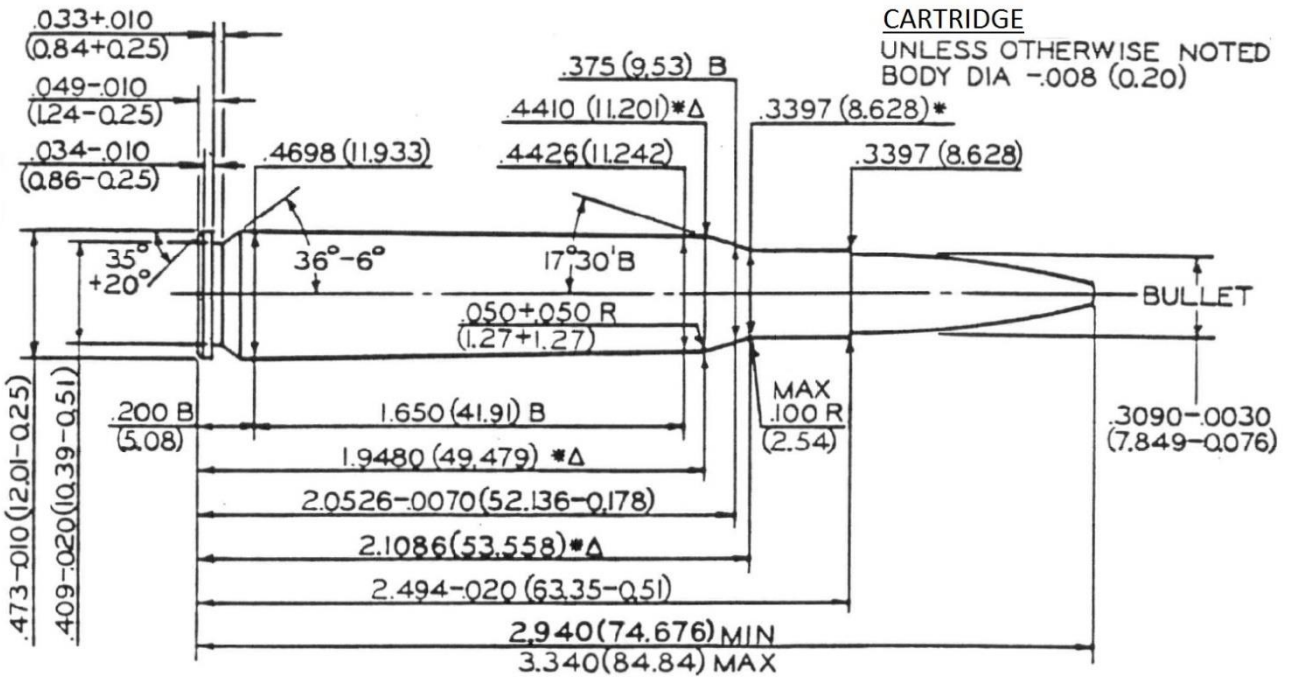


**NOTICE:** This drawing is subject to change.  
 Current version is available at [www.saami.org](http://www.saami.org).

MAXIMUM CARTRIDGE / MINIMUM CHAMBER

**30-06 SPRINGFIELD**



**NOTE**

B = BASIC

(XX.XX) = MILLIMETERS

⊗ = HEADSPACE DIMENSION

\* DIMENSIONS ARE TO INTERSECTION OF LINES

Δ = REFERENCE DIMENSION

ALL CALCULATIONS APPLY AT MAXIMUM MATERIAL CONDITION (MMC)

**CHAMBER**

UNLESS OTHERWISE NOTED

ALL DIA +.002 (0.05)

LENGTH TOL +.015 (0.38)