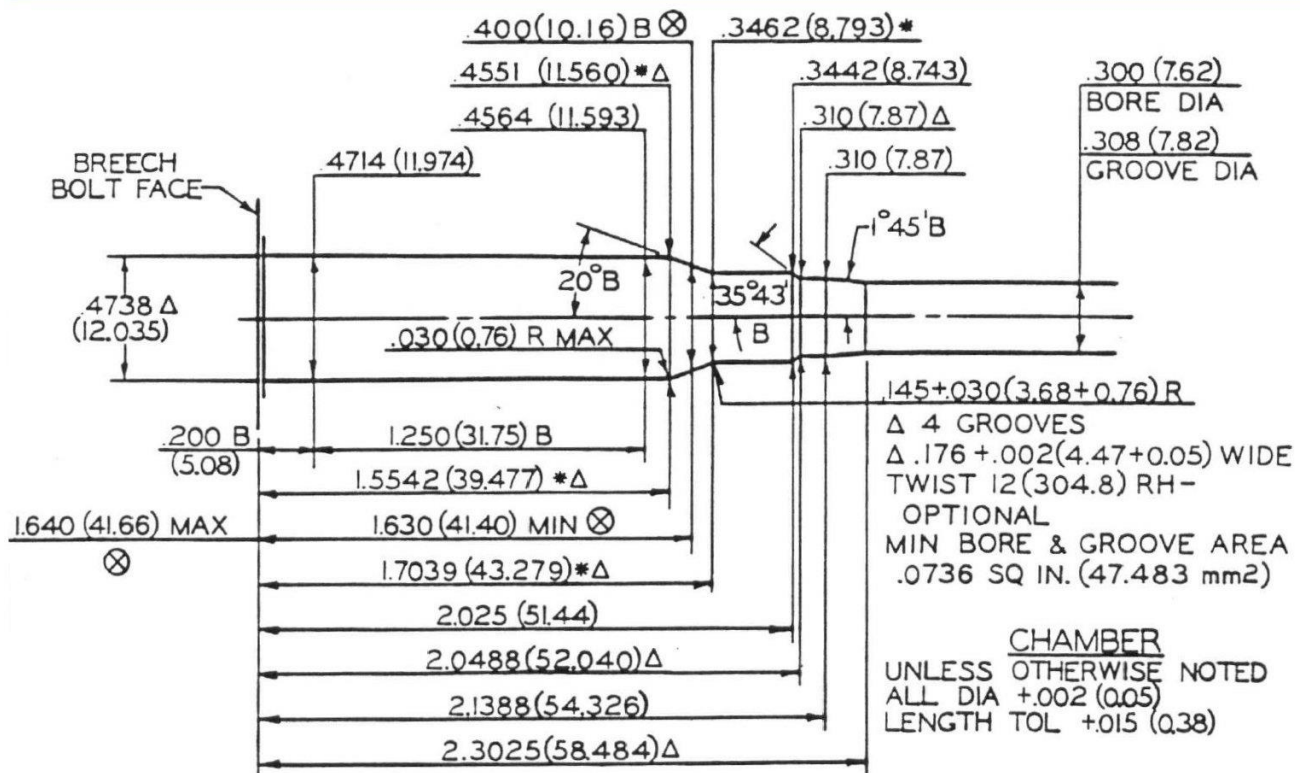
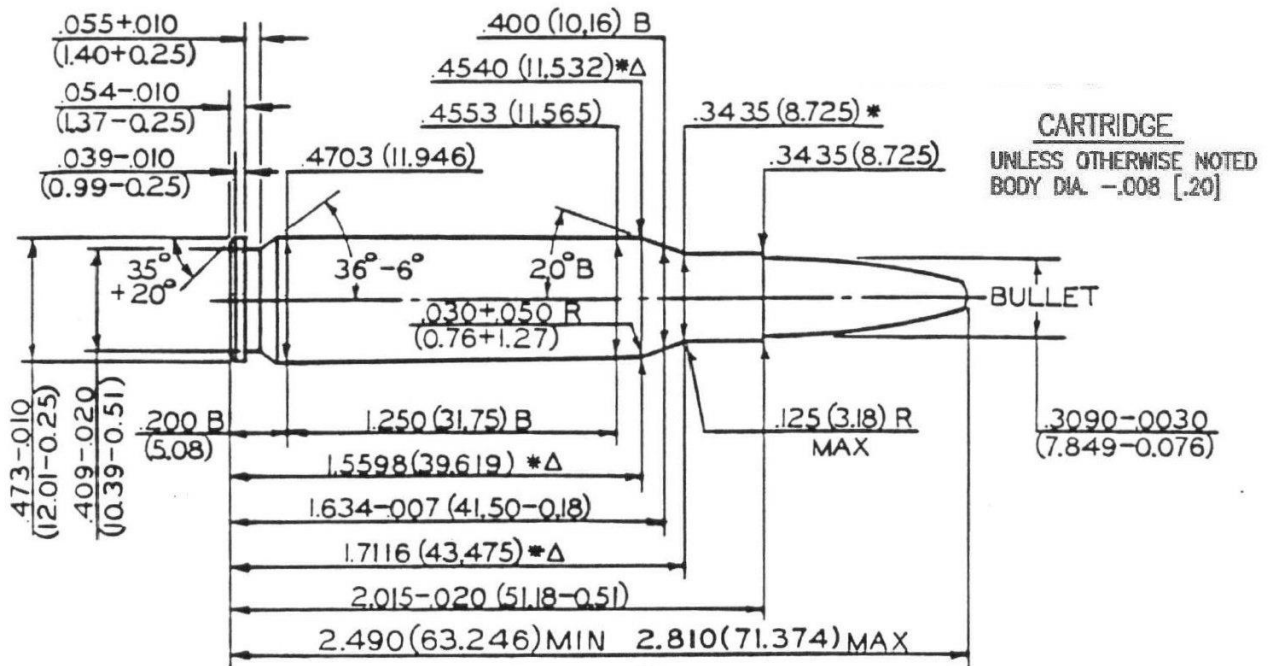


**NOTICE:** This drawing is subject to change.  
 Current version is available at [www.saami.org](http://www.saami.org).

MAXIMUM CARTRIDGE / MINIMUM CHAMBER

**308 WINCHESTER**



**NOTE:**  
 B = BASIC (XX.XX) = MILLIMETERS  
 ⊗ = HEADSPACE DIMENSION Δ = REFERENCE DIMENSION  
 \* DIMENSIONS ARE TO INTERSECTION OF LINES  
 ALL CALCULATIONS APPLY AT MAXIMUM MATERIAL CONDITION (MMC)